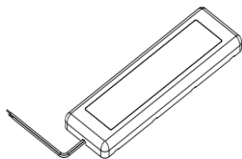





LED UTILITY LIGHT



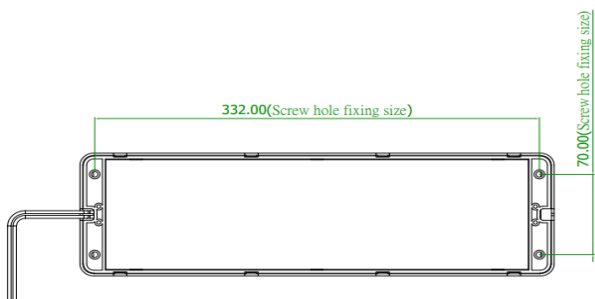
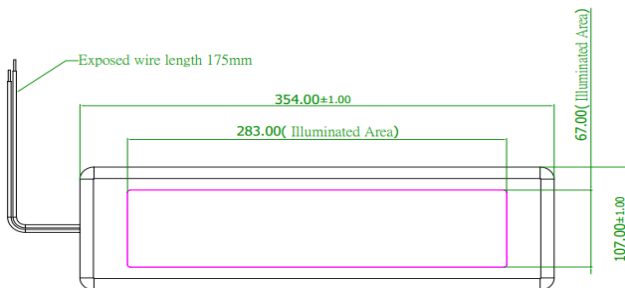
- Suitable for marine utility spaces
- Compact bezel design contemporary flush finish for maximum illumination area
- High precision optics for high lumen and flicker-free performance
- 12~36VDC input source range with integrated driver
- Automatic thermal rollback protection prevents overheating
- IP67 waterproof protection rating
- Low profile surface mount with interchangeable side or rear wiring entry

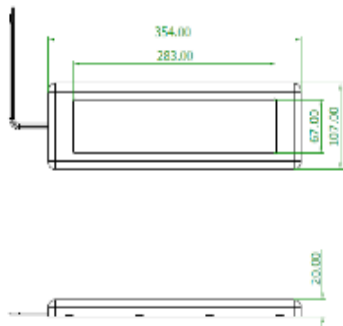
Item No.: SWIM-350			Note
Lighting Source	Type	LED light bar	
	Luminous Flux Output	1000 ± 100 lm	
	Correlated Color Temperature (CCT)	5400K ± 300K	
	Color Rendering Index (CRI)	80±5	
	LED efficacy	100 ± 10% Lm/W	@24Vdc
	LED beam angle	100°	
Input Power	Power Consumption	10W ± 10%	@24Vdc
	DC input volt (recommended)	12Vdc ~ 36Vdc	
	DC Max volt	10Vdc ~ 40Vdc	Overvoltage Voids Warranty
Environment	Operation temp.	-30~+50°C (MAX +60°C)	
	Operation humidity	0 ~ 100% RH	
	Storage temp.	-30~+85°C	
	Storage humidity	0 ~ 100% RH	
Safety and Environmental Standards	Reverse Polarity	The fixture is not damaged by reverse polarity. Operation resumes with correct polarity.	
		FCC, CE	
		RoHS, Class III, 	
	Ingress Protection	IP67 rating, dustproof, waterproof	



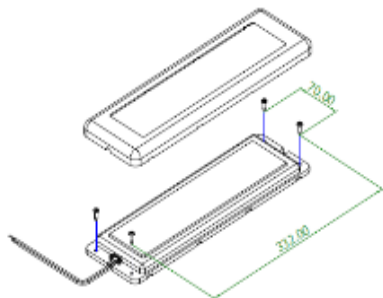
## Mechanical

- *Dimensions: 107mm Width x 354mm Length, 20.0mm body thickness*
- *Illumination area: 283mm x 67mm*





Front view



Back view



- Installation**
- 18AWG wires (red+, black-), 175mm wires stripped and tinned
  - Side or rear entry



PLEASE READ ALL INSTRUCTIONS BEFORE INSTALLATION



### Safety Instructions:



#### **WARNING: RISK OF ELECTRIC SHOCK**

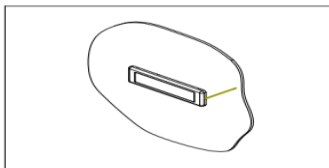
- Installation is intended to be done by a qualified electrician in accordance with the control of hazardous energy (lockout/tagout) safety regulations and procedures.
- Installation must follow the NEC/ABYC/USCG electrical codes set for the specific vessel the fixture is being installed on.
- Ensure **ALL POWER SOURCES** connected to the room or fixture location are turned off before installation.
- The use of safety equipment (safety glasses and gloves) are highly recommended
- Avoid mounting near any combustible material and/or heating units.
- Any maintenance/repairs to the fixture may only be carried out by a qualified electrician
- All proper cooling time before handling the fixture if it has been installed & powered.
- Any modifications to the fixture will automatically void warranty
- Always inspect the fixture for any damage prior to installing and **DO NOT** install if any damage is present



## Mounting – Side wiring

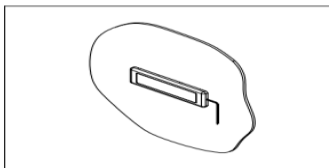
- Locate suitable overhead or bulkhead mounting location and reserve a minimum of 10mm on all sides of fixture from obstructions or interference with existing components; i.e. tanks, wires, plumbing, etc.
- Depending on installation, the fixture can be mounted with self-tapping or machine screws. Drill four, 4mm mounting holes. Take care not to over tighten and stress fixture.
- Provide 12~36VDC source of power. Source cabling shall be sized not to exceed 10% voltage drop. Connect +VDC to fixture red wire and -VDC to fixture black wire.

Assembly 1



The power cord exits from the back of the Lighting

Assembly 2

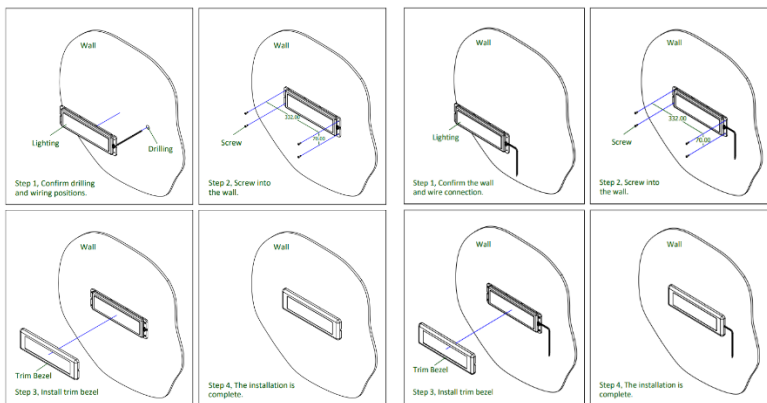


The power cord exits from the side of the Lighting



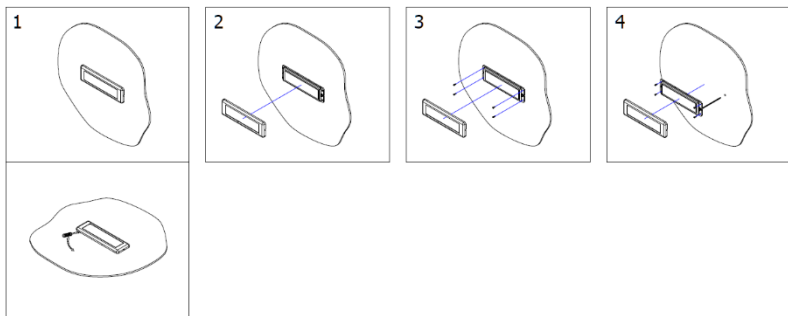
## Mounting – Rear side wiring

- When rear side wiring is required, remove the trim bezel, guide fixture wires through the hole on the rear side, directing wires towards power source behind the bulkhead/overhead. Install trim bezel.





### Disassemble Lighting



Use a flat-head screwdriver to open the decorative board of the Lighting

Fixture contains no serviceable components.  
Opening fixture will void warranty.

**Product made in Taiwan**



Model: C11105B  
SettWay Energy Technology



LED UTILITY LIGHT  
Item: SWIM-350

## Limited Warranty

- Imtra warrants this product for a period of 3 years from the date of purchase. If the light should cease to function or not perform as advertised, return the complete fixture for replacement.
- This warranty does not apply to damage resulting from actions of the user such as misuse, improper maintenance or repair, unauthorized modification, lightning strike or damage from a power surge.
- Imtra specifically disclaims any implied warranties, merchantability or fitness for a specific purpose and will not be liable for any direct, indirect, incidental or consequential damages. Imtra's total liability is limited to repair or replacement of the product.
- The warranty set forth above is inclusive and no other warranty, whether written or oral, is expressed or implied.
- If it should become necessary to return a fixture for replacement beyond the warranty period, please refer to Imtra's standard Return Policy as detailed on Imtra's website ([www.imtra.com](http://www.imtra.com)) or call Imtra customer service at (508) 995-7000.
- No returns are accepted without a Return Authorization (RA) number.

[www.imtra.com](http://www.imtra.com)

Call Imtra at (508) 995-7000

P8