



# INDOOR / OUTDOOR DIMMABLE POWER SUPPLY SERIES

## LMPS 100S - DM - 12VDC INDOOR / OUTDOOR SERIES

### Transformer

Dimmable with any LV magnetic dimmer as long as you cover dimmer's min load.

Temperature class B(130°C)

Input leads are 18AWG 600V

Output leads are 18AWG 300V

Leads max. operational temperature is 105°C

Thermal self reset primary breaker 2A

Thermal self reset secondary breaker 13A

### Housing

The actual transformer 100W is encapsulated in the enclosure

The enclosure is Black Powder Coated Steel, NEMA 3R rated

Wiring compartment has 5 knockouts sizes for 3/8 inch screw cable connectors

Enclosure Temperature does not exceed 75°C at 45°C ambient and fully loaded

Dimensions (inch): H = 8.13, W = 3.93, D = 1.59

Weight (LBs): 4

### Electrical Parameters

Input Voltage: **120V 60Hz**

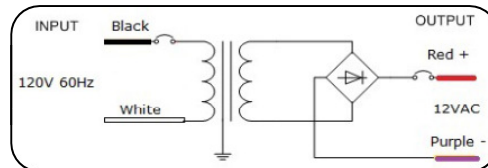
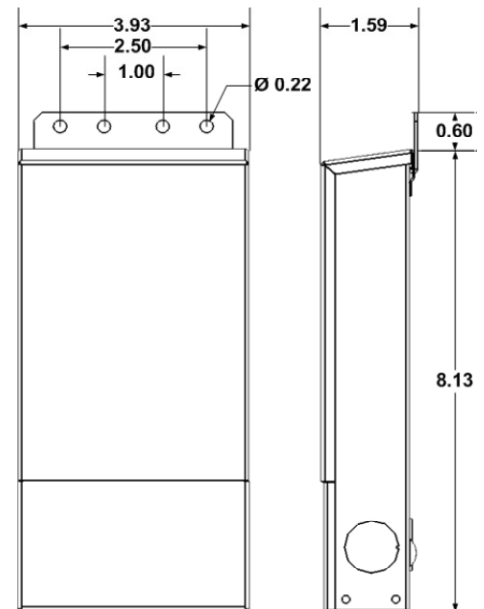
Max. input current at full load: **1.1A**

Output voltage without load: **13.6VDC**

Output voltage fully loaded: **11.5VDC**

Max. Total Wattage: **100W**

Max. Output Current: **8.3A**



LMPS100S - DM- INDOOR / OUTDOOR DIMMABLE POWER SUPPLY SERIES				
PART #	MODEL	WATTS	INPUT VOLTAGE	BREAKERS
7000 - PS - 4430	LMPS100S12VDC - DM - OD	100W	12 VDC	Primary & Secondary
7000 - PS - 4431	LMPS100S24VDC - DM - OD	100W	24 VDC	Primary & Secondary